



Quick Installation Guide

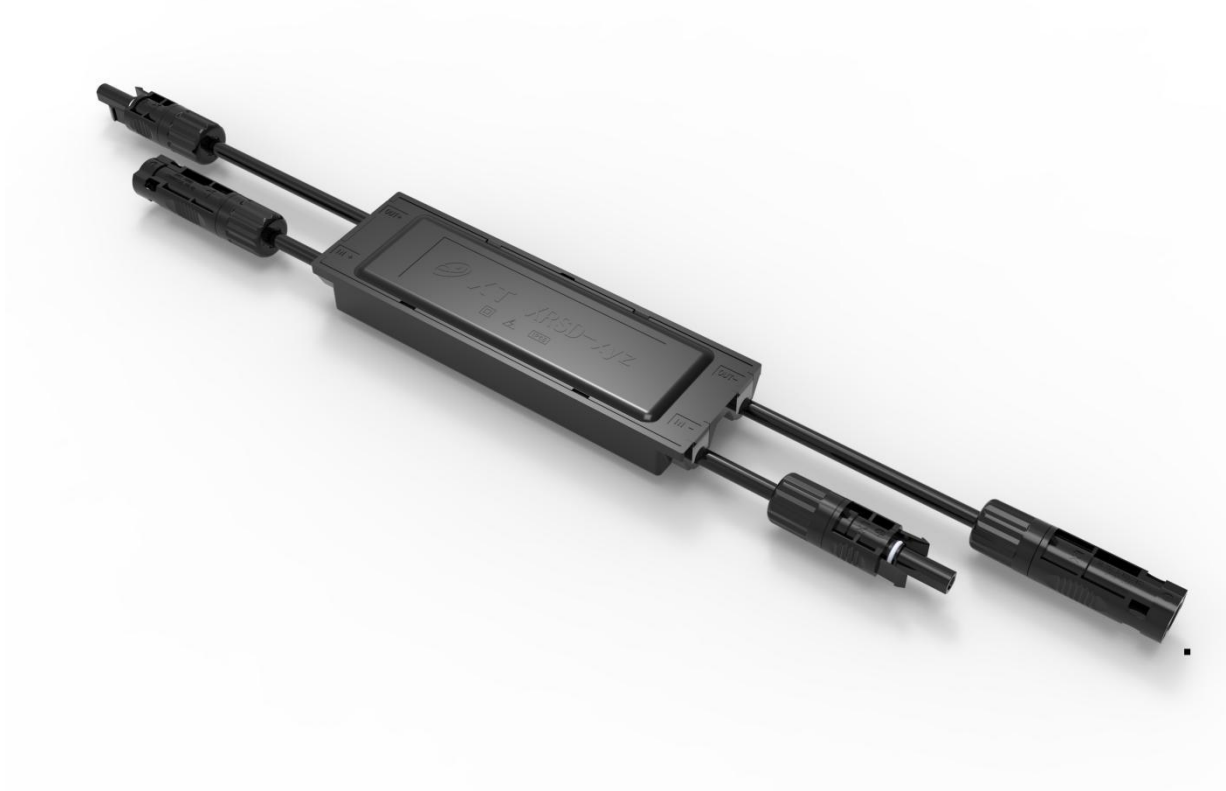
XRSD-xyz

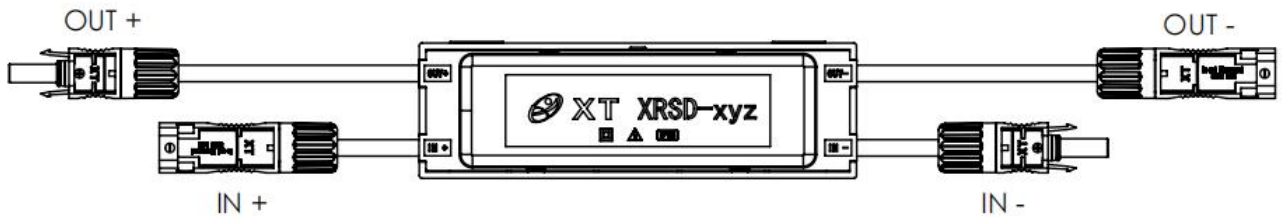
Product Name: Rapid shutdown module

Type: XRSD-xyz

Vendor name: Suzhou Xtong Photovoltaic Technologies Co. Ltd

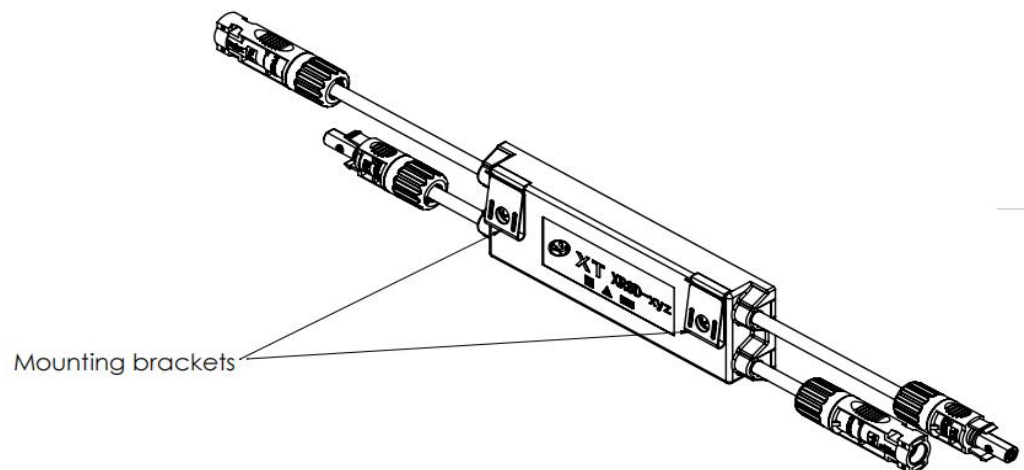
Version: A/0

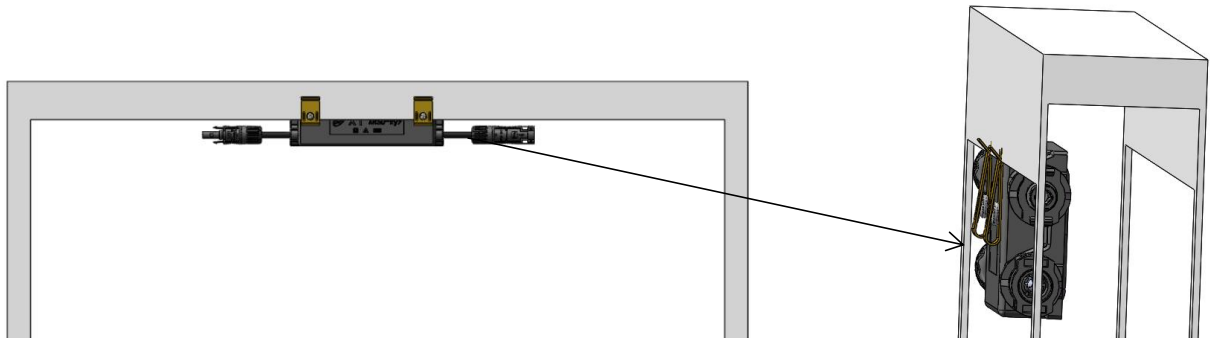




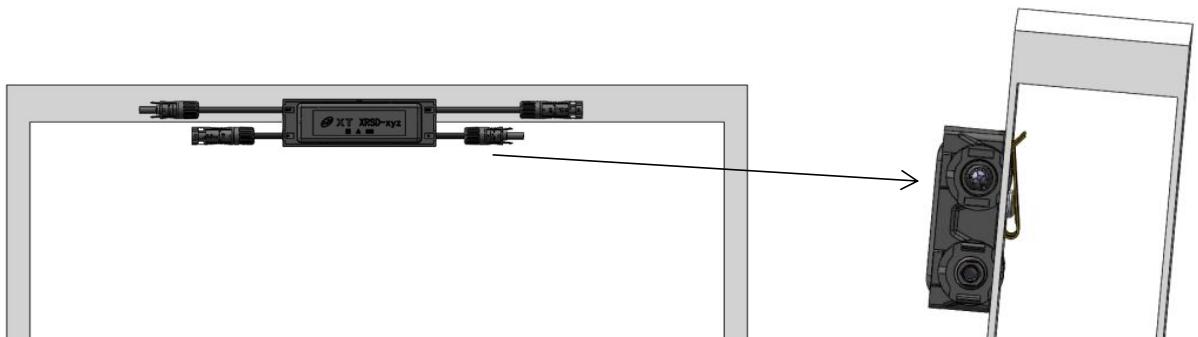
Step1. Buckle XRSD-xyz onto the PV module frame.

A. Back buckle





B. Front buckle



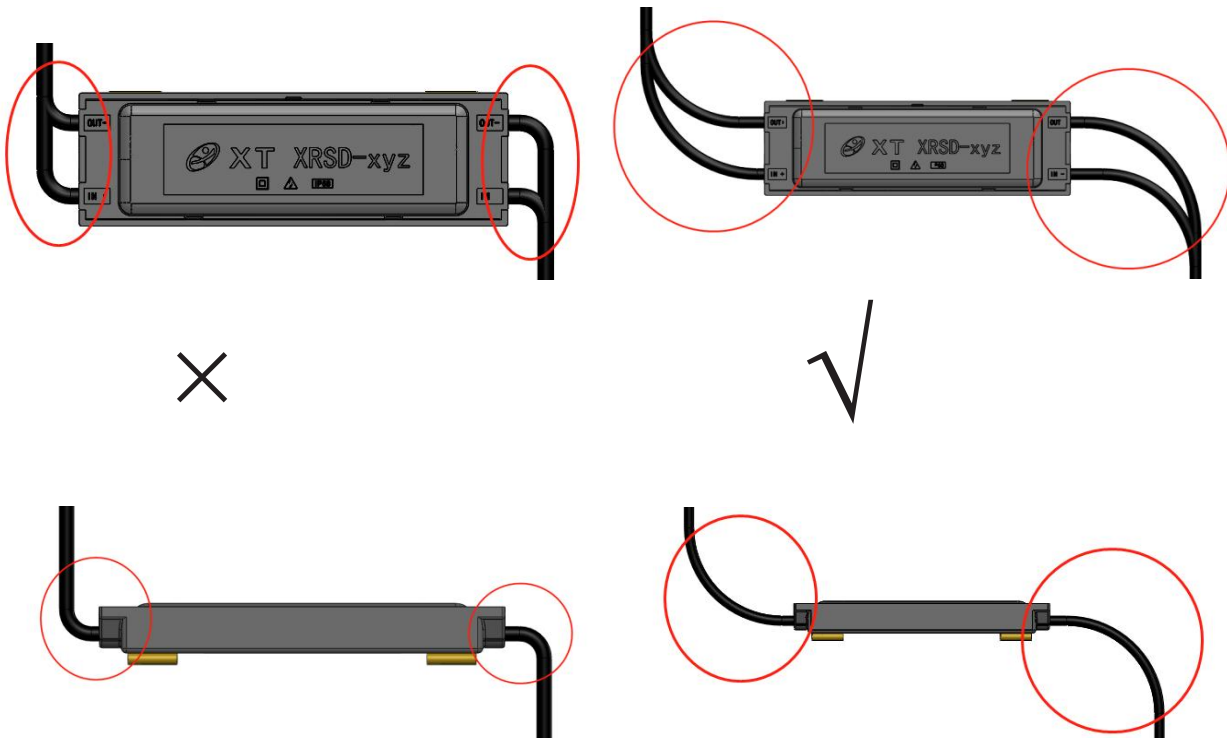
NOTE:

Do not place the XRSD-xyz (including DC connectors) where exposed to the sun, rain or snow, even gap between modules. Allow a minimum of 1.5cm between the roof and the bottom of the XRSD-xyz to allow proper air flow.

Step2. Connect the input connectors of the XRSD-xyz to the Junction box ,the device output DC voltage is within the range 1~1.5V.

NOTE:

- 1.Do not short-circuit the XRSD-xyz output connectors, otherwise it will be damaged.
- 2.Do not installing the XRSD-xyz cable, the bending radius of the cable near the casing must be greater than 50mm.
- 3.Bending Radius of the cable $>50\text{mm}$



Step3. Connect the output connectors of the XRSD-xyz in series to the string ,the string open DC voltage is within the ragne of $(1\sim 1.5V) * XRSD-xyz$ (if install the 20pcs XRSD-xyz in string , the open voltage should be $1*20\approx 20V$).Before connector the string to Inverter, please confirm the string open voltage first , To ensure that all installed RSDs are in good condition.

NOTE: Please use the same type of DC connector as the RSD in the system. The RSD damage caused by using different type of DC connector will not be covered by the warranty.



Safety Instructions

1.The product should be assembled by people who were professionally trained and aware of related safety codes.

2.A set of specific PV Modules and tools is recommended to assemble the connectors. XTONG shall take no responsibility whatsoever for any problems caused by unspecified PV Modules or tools.

3.Do not deviate from the preparation and assembly steps described here. Do not modify the product in any way. XTONG shall give no guarantee as to safety or conformity with the technical parameter in the case of non-observance of XTONG's manual or instructions.

4.Products cannot be stored, transferred or used in the environment that have the chemicals listed in Appendix Form 1 and labeled by "incompatible".

(1) Do not over pressure, impact or pollute the products. XTONG shall take no responsibility whatsoever for any broken, shape change and other problems caused by over pressing, impact or pollution.

(2) The maximum storage time for this product is 1 year. Please assemble the product to end products within 1 year.

(3) The product must not be plugged together with any other connectors with different brands.

(4) Products shall not be used in non-PHOTOVOLTAIC systems or non-photovoltaic environments.

(5) The connectors cannot be used or operated under water or the rain.

(6) The unplugged connectors should be placed away from dust, water and pollution, and be protected by sealing caps.


(7) The connector should not be under continuously mechanical tension or stretching. The connectors or cables are recommended to be fixed.


(8) Cable which used to connect with the connector must be tin plated. PVC cables are prohibited for safety reasons.



No actions mentioned in this document can be carried out on live or load-carrying parts.



 Electric shock protection is essential in final systems or assured by the end product and its user.

 Unplugging and plugging are not allowed when the system is under load.

Exclusion Terms

XTONG shall not be responsible for defects subjected to any situations as listed below

1. Inobservance in instructions or manuals from XTONG.
2. Connectors be plugged with a different brand connector.
3. Accident.
4. Connectors be used inappropriately.
5. Connectors be destroyed or broke by human.
6. Destruction or pollution caused by abnormal using environment.
7. Natural hazard.
8. Natural depletion.
9. Force majeure.

Xtong reserves the right of interpretation for this Specification and manual.

Suzhou XTONG Photovoltaic Technologies Co., Ltd

No. 5 Zhufeng Road, Mudu Town, Wuzhong District, Suzhou 215101,P.R.China

TEL:86-512-66796008

Fax:86-512-66796038

Email: sales@xtong-solar.com